

Control Water Heater

Installation, Commissioning &
User Instructions

LV311406 | June 2014



**Read this manual
carefully****Warning**

Read this manual carefully before starting the water heater. Failure to read the manual and to follow the printed instructions may lead to personal injury and damage to the water heater.

Copyright © 2014

All rights reserved.

Nothing from this publication may be copied, reproduced and/or published by means of printing, photocopying or by whatsoever means, without the prior written approval of the supplier.

The supplier reserves the right to modify specifications stated in this manual.

Trademarks

Any brand names mentioned in this manual are registered trademarks of their respective owners.

Liability

The supplier accepts no liability for claims from third parties arising from unauthorised use, use other than that stated in this manual, and use other than in accordance with the General Conditions registered at the Chamber of Commerce.

Refer further to the General Conditions. These are available on request, free of charge.

Although considerable care has been taken to ensure a correct and suitably comprehensive description of all relevant components, the manual may nonetheless contain errors and inaccuracies. Should you detect any errors or inaccuracies in the manual, we would be grateful if you would inform us. This helps us to further improve our documentation.

More information

If you have any comments or queries concerning specific aspects related to the water heater and/or solar pump station, then please do not hesitate to contact:

Lochinvar Ltd.
7 Lombard Way
The MXL Centre
Banbury
Oxon
OX16 4TJ

Tel: +44 (0) 1295 269 981
Fax: +44 (0) 1295 271 640
E-mail: info@lochinvar.ltd.uk
Website: www.lochinvar.ltd.uk

In the event of problems with your electricity or other connections, please contact the supplier/installation engineer of your installation.

Introduction

Warning

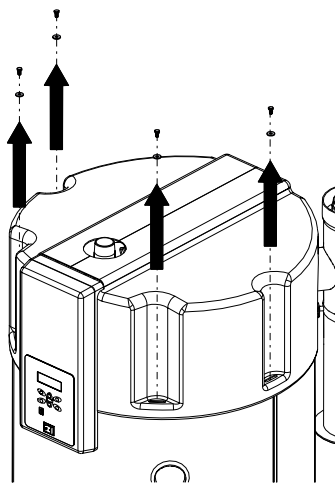
The installation should be carried out by a competent person, in compliance with general and locally applicable regulations.

Replacing the control consists out of several steps, such as:

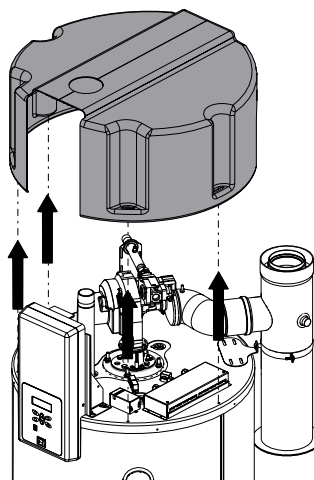
- Isolating the water heater;
- Replacing the control;
- Activating the new control;
- Commissioning the water heater.

Isolate the water heater

1. Isolate the water heater from the main power supply (see Installation, User, Service and Maintenance Instructions [10.3 "Electrically isolating the water heater"](#)).
2. Shut of the gas supply.
3. Undo the screws of the plastic covers.



4. Carefully remove the covers from the top of the water heater



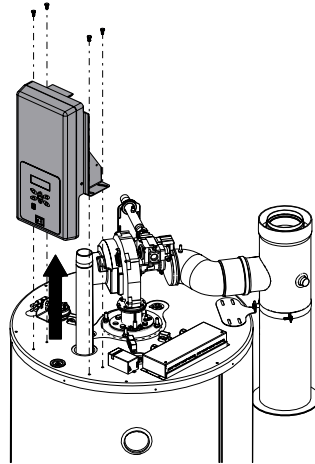
Replace the control

1. Carefully loosen the cables at the rear of the control.

REMARK

Also pull the dummy out of the control and leave the selection resistance in the cable harness.

- Remove the control from the water heater by loosening the four bolts on both sides of the control.



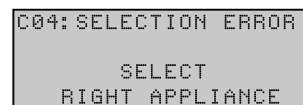
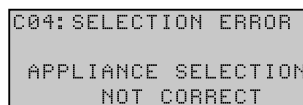
- Mount the new control onto the water heater using the four bolts.
- Insert the cables and the dummy into the control again (see table and picture).

Commissioning the water heater

- Replace the covers.
- Open the manual gas control valve.
- Switch on the main power to the appliance using the isolator between the appliance and the power supply.
- Switch the controller on **ON** by setting the ON/OFF switch to **position I**. The display will now show INTERNAL CHECK for about 10 seconds, and will then go to the main menu.

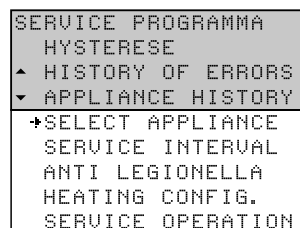


- When activating the OFF, ON, WEEKPROGRAM or EXTRA PERIOD a C04 error (**selection error**) message appears on the display.



- Adjust the appliance selection in the control. Call up the select appliance menu via:

-  : *SELECT APPLIANCE*

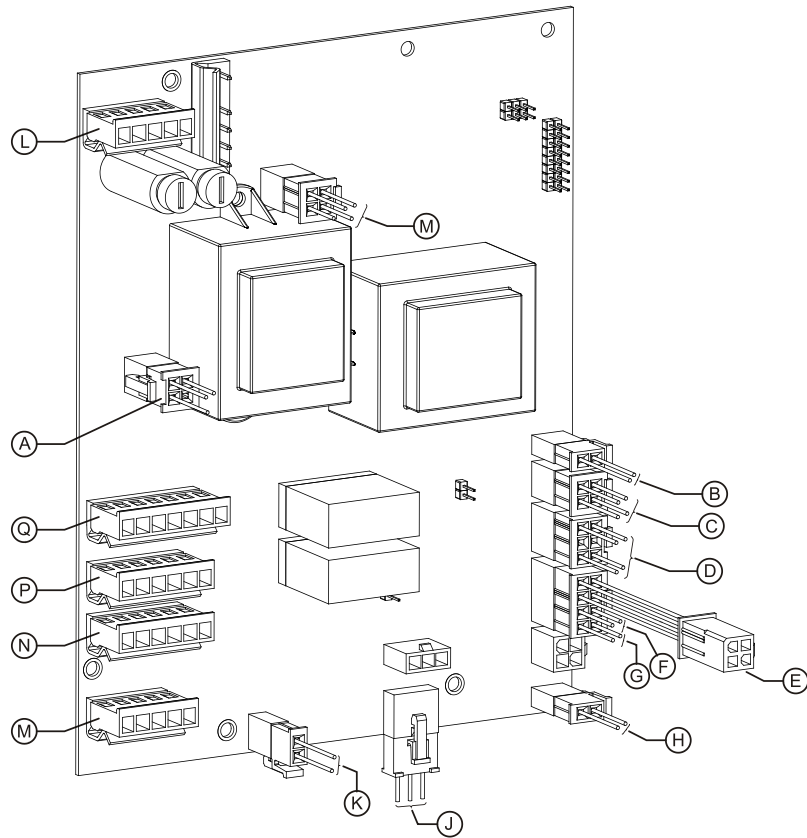


Select the correct appliance number (PIN-code) and confirm with ENTER. This number can be found on the rating plate of the water heater or in the table below.

Water Heater	PIN-code	Color Selection key
ECH 32-220	3289	White / Blue
ECH 33-370	1100	White / White
ECH 52-370	7298	White / Red
ECH 63-370	6567	White / Black
ECH 87-480	5906	White / Yellow
ECH 106-480	3855	White / Brown
ECH 129-480	4596	Black / Black
HWH 32-220	6037	Red / Blue
HWH 33-370	5031	Red / White
HWH 52-370	0832	Red / Red
HWH 63-370	3260	Red / Black
HWH 87-480	7028	Red / Yellow
HWH 106-480	1756	Red / Brown
HWH 129-480	2036	Blue / Black
HWHC 44-370	0222	Blue / Yellow
HWHC 63-370	9636	Blue / Brown

7. Commission the water heater (see Installation, User, Service and Maintenance Instructions [9.2 "Starting and running"](#))

Connections on the controller



- A Flame probe and hot surface igniter
- B Temperature sensor T₂ (bottom tank sensor)
- C Dummy (double black)
- D Temperature sensor T₁ (top tank sensor)
- E Selection resistor
- F Anode signaling
- G Pressure switch
- H BUS connection
- J Display
- K Extra ON-mode switch
- L Power for controller
- M Fan
- N Extra error signal
- P Program-controlled pump
- Q Gas control Valve

0311 406 R0.0 EN



IMPORTANT INFORMATION

These instructions must be read and understood before installing, commissioning, operating or maintaining the equipment.

